

# Husqvarna® Early Entry Saw *Package*

## Soff-Cut 150 and 10 Blades

# \$2,599.00

X150 and FLX4000 6" Blade 10 Pack

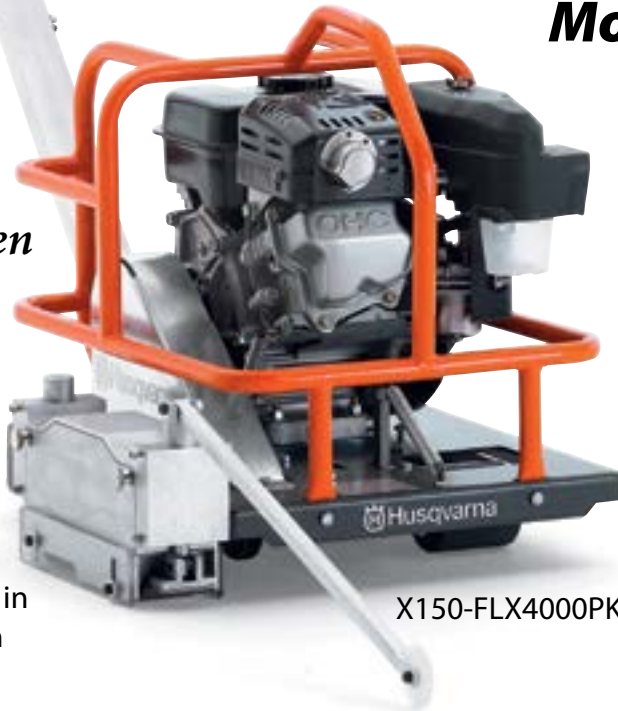
- Designed for residential and light commercial applications.
- *Lightest gas saw* in the Soff-Cut range
- Designed for ease of use and convenience.
- Patented *low noise blade enclosure* which allows the unit to be used in residential areas with minimal disruption.
- *Low-dust blade block system* allows the saw to cut dry, and it controls the debris for easy cleanup.

(10) FLX 4000 6" Blades with 5 Skid Plates

**Medium to Soft Aggregate  
Most Popular Blade**

**\$3,349**  
Package Value

*"The Original Green  
Concrete Saw"*



X150-FLX4000PKG



- Cutting depth: max 1.18 in
- Blade diameter: max 6 in
- Output power: 4.3 hp



**Authorized Factory Service Center  
Factory Trained Service Technicians  
Husqvarna Genuine Parts**

**Well Maintained Rental Units For Sale  
Expand Your Fleet Affordably**

# nu way®

**Everything for the Contractor!**

## Husqvarna® GREEN ZONE

### STARTER PACKAGE

Blade and Joint Protectors



**6" x .100 FLX6-4000 Orange  
Diamond Blade Starter Package**

**\$79.00**

REG. \$124.95  
575383227

**10" x .100 FLX10-4000 Orange  
Diamond Blade Starter Package**

**\$134.00**

REG. \$200.00  
575383218

Offer Good Through August 31, 2018

4190 Hoffmeister Ave.  
St. Louis, MO 63125-2298  
314.544.1214 Fax 314.544.1656  
800.542.1214

3100 South Ten Mile Dr.  
Jefferson City, MO 65109-1013  
573.893.8786 Fax 573.893.8737  
800.345.9154

4788 Old Cape Road East  
Jackson, MO 63385-3816  
573.204.0100 Fax 573.204.0411  
800.599.9854

115 Resource Dr.  
Wentzville, MO 63385-1560  
636.327.8877 Fax 636.327.4944  
888.999.6883

7651 East Resource Dr.  
Troy, IL 62294-3177  
618.288.3400 Fax 618.288.3410  
888.315.1100



### Joint Protectors

505483202, 505483203, 505483205

**Optimal:**

Granite, Green concrete: Medium to Soft aggregate (Limestone), abrasive sand

**Good:**

Green concrete: Medium aggregate (granite), Medium abrasive sand

**12" x .100 FLX12-4000 Orange  
Diamond Blade Starter Package**

**\$159.00**

REG. \$237.00  
575383219

**14" x .100 FLX14-4000 Orange  
Diamond Blade Starter Package**

**\$172.00**

REG. \$269.00  
575383220

Visit Us At **nuwayinc.com** • Open Mon - Fri 7 - 5 Sat 8 - 12

Husqvaran FLX and Joint Protectors.indd 6/22/18